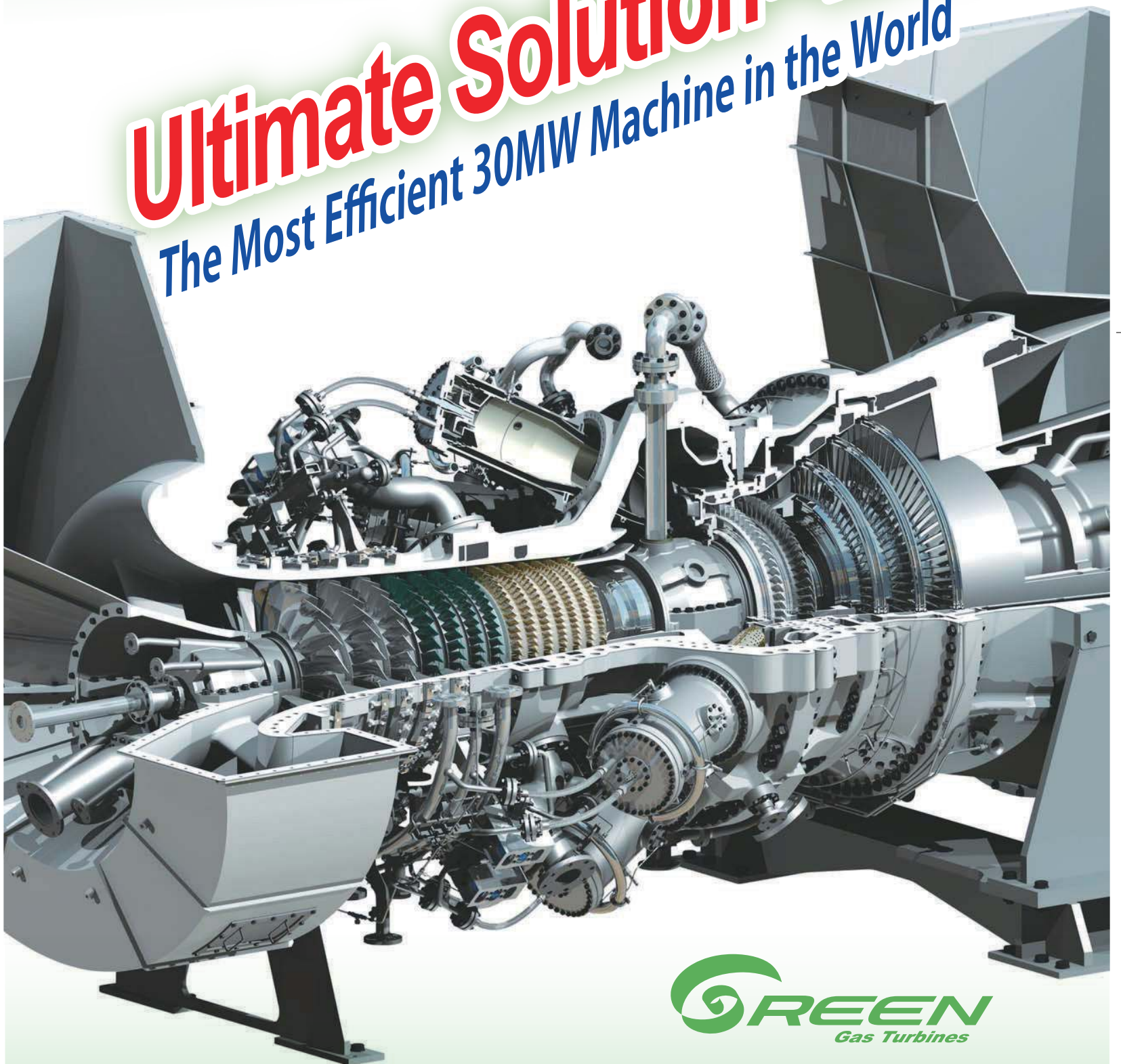


L30A

30MW Gas Turbine

Ultimate Solution - 40.3%
The Most Efficient 30MW Machine in the World



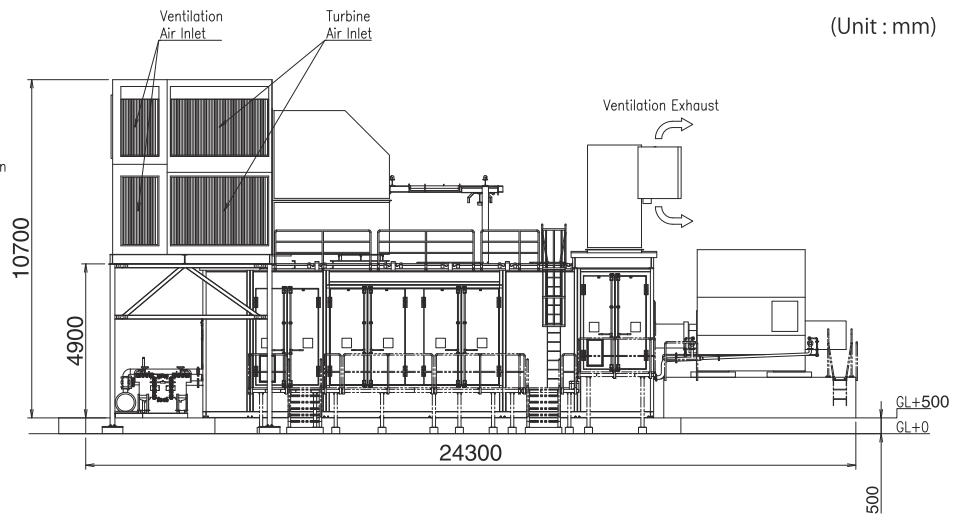
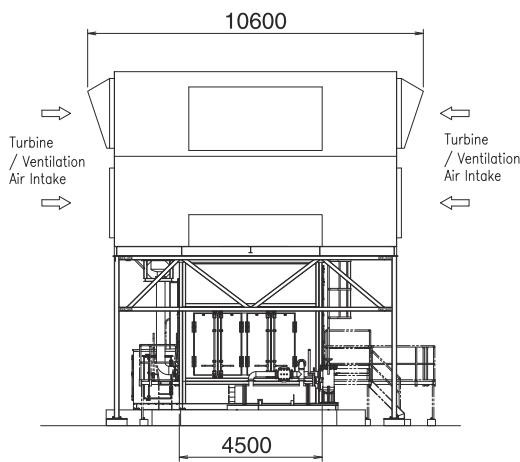
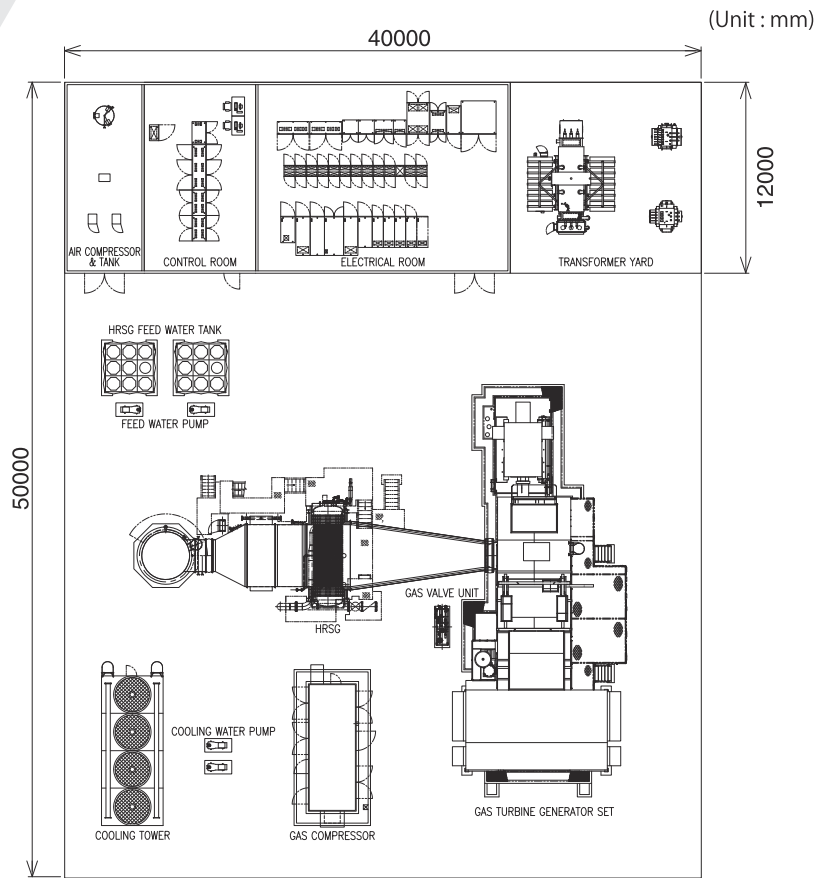
L30A

30MW Gas Turbine

Specification

Electric Output [kWe]	34,380
Heat Rate [kJ/kW-hr]	8,930
Thermal Efficiency [%]	40.3
Exhaust Gas Temperature [deg-C]	502
Exhaust Gas Mass Flow [x10 ³ kg/hr]	333.3

Condition : ISO Rating
 Inlet Air Temp. : 15 degree C
 Atmospheric Pressure : 101.3 kPa
 No duct loss
 Natural Gas (100% CH₄)
 LHV of Fuel : 35.9MJ/Nm³



global.kawasaki.com/en/energy/equipment/gas_turbines/index.html

Kawasaki Heavy Industries, Ltd. Tokyo Head Office
 Tel: +81-3-3435-2579 Fax: +81-3-3435-2592

Kawasaki Machine Systems, Ltd. (Far East Asia)
 Tel: +81-3-3435-2977 Fax: +81-3-3435-2592

Kawasaki Machine Systems, Ltd. Korea Branch
 Tel: +82-2-527-2201 Fax: +82-2-527-2205

Kawasaki Gas Turbine Asia Sdn Bhd (KGA)
 Tel: +60-3-7846-2882 Fax: +60-3-7848-3093

Kawasaki Gas Turbine Europe GmbH (KGE)
 Tel: +49-6172-7363-0 Fax: +49-6172-7363-55

Kawasaki Gas Turbine Service RUS LLC
 Tel: +7-423-262-0201 Fax: +7-423-262-0202

Kawasaki Heavy Industries (Thailand) Co., Ltd.
 Tel: +66-2-163-2839 Fax: +66-2-163-2841

Kawasaki Gas Turbine Asia Sdn Bhd Jakarta Representative Office
 Tel: +62-21508-15125

Kawasaki Gas Turbine Europe GmbH, Romanian Representative Office
 Tel: +40-374 645915 Fax: +40-374 094901

